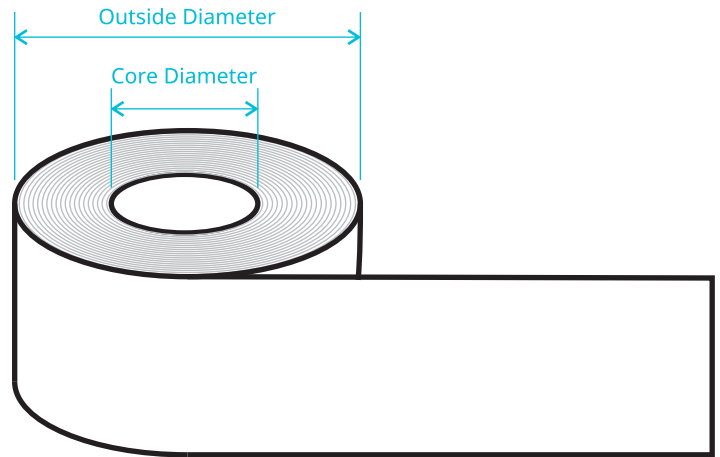


COMPANY NAME:

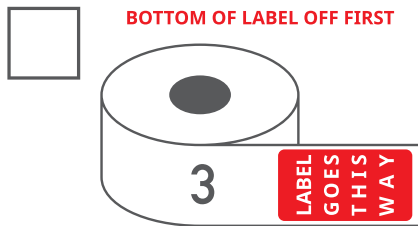
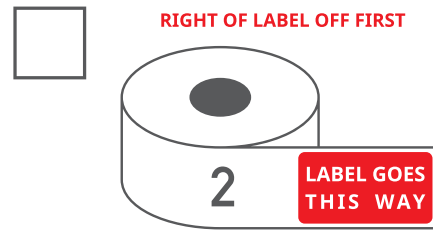
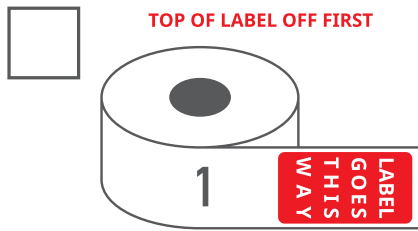
MAXIMUM OUTSIDE DIAMETER

CORE DIAMETER

PLEASE SELECT ONE OF THE REWIND  
DIRECTION FROM THE CHART BELOW



### LABEL WOUND OUT



### LABEL WOUND IN

